

REV HYDRO 6

SPECIFICATION SHEET
STATIC WHITE OUTDOOR

HIGH LUMEN RECESSED DOWNLIGHT WITH WATERPROOF DESIGN

Housing

Aperture : Ø6" | Oversize Trim : 6.8" | Maximum Ceiling Thickness : 1.5"
Height : 5" | Weight : 7.7 lbs

Material

Housing : Die Cast Aluminum, Glass
Lens : PC, Glass
Trim : Flow Forming Aluminum

Power Input

50W, 70W, 90W | 120V, 277V

Lumen Output

4,400 lm (50W), 5,760 lm (70W), 7,200 lm (90W)

Dimming

Standard 0-10V : Dims to 10%
DALI : Dims to 10%

Color Quality

CRI 85

Rated Life

> 60,000 Hours (L70)

Trim Finish



Black



White



Gray



Bronze



Brushed
Stainless Steel

Color Temperature



2700K



3000K



3500K



4000K



5000K

Optics



30°



45°



55°



Wallwash

Warranty

5 Year limited warranty

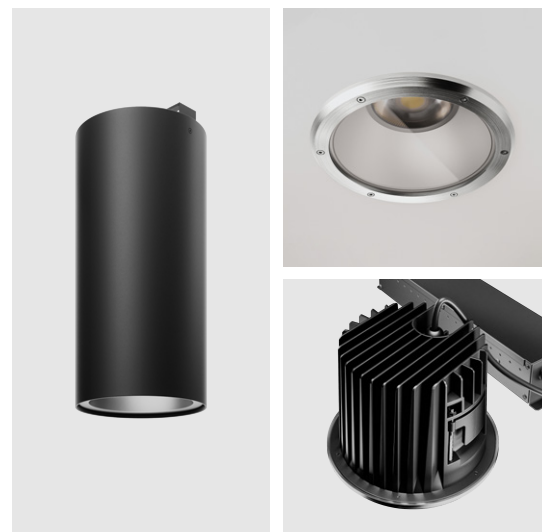
Listing



Durable Design, Compact Brilliance.

The REV Hydro series is a waterproof marvel that inherits the revolutionary design of the REV series. Now with an IP65 rating and a robust all-metal body, complemented by a stainless-steel front cover, it is ready to face challenging outdoor environments.

With goof ring options and easy installation, the REV Hydro is flexible, perfectly suited for illuminating outdoor landscapes and enhancing safety in wet areas like pool surroundings.



SPECIFICATION

PROJECT NAME

DATE

CATALOG #

QUANTITY

<input type="text" value="RH6R"/>	MODEL	REV HYDRO 6 RETROFIT		
<input type="text"/>	WATTAGE	50 50W	70 70W	90 90W
<input type="text"/>	CCT / CRI	278 2700K / CRI 85 408 4000K / CRI 85	308 3000K / CRI 85 508 5000K / CRI 85	358 3500K / CRI 85
<input type="text"/>	VOLTAGE	120 120V	277 277V	
<input type="text"/>	DIMMING	STV Standard 0-10V dims to 10%	DALI DALI dims to 10%	
<input type="text"/>	BEAM ANGLE	30 30° WW Wallwash	45 45°	55 55°
<input type="text"/>	TRIM FINISH ¹	BLK Black BRZ² Bronze	WHT White BSS Brushed Stainless Steel	GRY² Gray
<input type="text"/>	RATING	OUT³ Outdoor Rating	NAT⁴ Natatorium Rating	MAR⁵ Marine Rating
<input type="text"/>	ACCESSORIES	CP^{6,7} Concrete Pour	NC⁷ New Construction Panel	AT^{7,8,9} Airtight

 CLEAR FORM

¹ The trim includes a glass cover and a gasket seal to prevent water ingress from below
² Long lead time required
³ Outdoor Rating: Coating and wiring will be changed to high UV resistant and corrosion resistant materials for long-term operation in outdoor environments
⁴ Natatorium Rating: Utilizes high corrosion-resistant materials for both coatings and sealants to prevent damage from long-term exposure to chlorine vapors
⁵ Marine Rating: Utilizes high corrosion-resistant materials for both coatings and sealants to prevent damage from long-term exposure to saltwater environments
⁶ CP is not compatible with 70W, 90W
⁷ Only one option within this group can be specified
⁸ AT is not compatible with WW option
⁹ Tested in accordance with ASTM E283 to meet air leakage performance standards. Requires specialized installation, including the use of a caulking compound to ensure a properly sealed assembly

TECHNICAL DETAILS

Electrical

- 4,400 lm (50W), 5,760 lm (70W), 7,200 lm (90W)
- Power Input : 120V or 277V
- Operating Temperature : -20°F~112°F, with DTC : -20°F~104°F
- Surge Protection : Built-in is 4KV
- Power Factor Greater than 0.9

LED Features

- Color Temperature : 2700K, 3000K, 3500K, 4000K, 5000K
- CRI 85
- Long lasting LED luminaire tested under TM21 lumen maintenance L70 @ 60,000 Hrs

Optics

- PC Lens, Glass
- Beam Angle : 30°, 45°, 55°, Wallwash

Advanced Dimming

- Standard 0-10V : Dims to 10%
- DALI : Dims to 10%

Retrofit Housing

- Aperture : Ø6"
- Height : 5"
- Weight : 7.7 lbs
- Material : Die Cast Aluminum, PC, Flow Forming Aluminum, Glass
- Non-IC Rated, insulation must be kept >1ft from housing
- Opening of Mounting Frame : 6" to 6.5" Max
- Oversize Trim : 6.8"
- Maximum Ceiling Thickness : 1.5"
- Light engine, optics, and driver(s) accessible from below ceiling

Warranty

- 5-year limited warranty

Listing

- ETL Wet Location Listed
- FCC
- UKCA
- IP 65
- ASTM E283

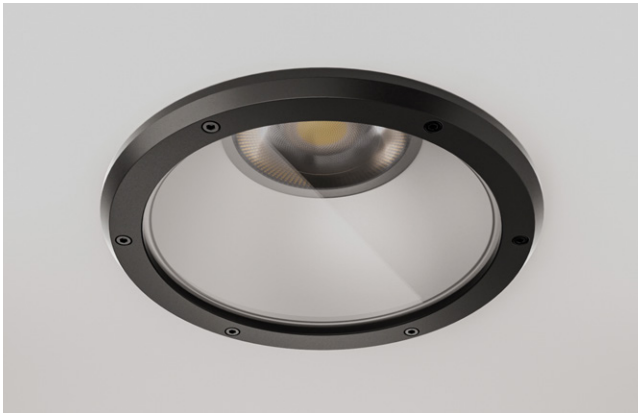
PERFORMANCE SUMMARY*

	Delivered Lumens				
CCT/ WATTAGE	2700K	3000K	3500K	4000K	5000K
50W	4,350lm	4,430lm	4,450lm	4,480lm	4,400lm
70W	5,700lm	5,800lm	5,850lm	5,860lm	5,760lm
90W	7,100lm	7,250lm	7,300lm	7,330lm	7,200lm

	Current Consumption	
WATTAGE / VOLT	120V	277V
50W	0.46A	0.2A
70W	0.64A	0.28A
90W	0.83A	0.36A

*Tolerance ±8%

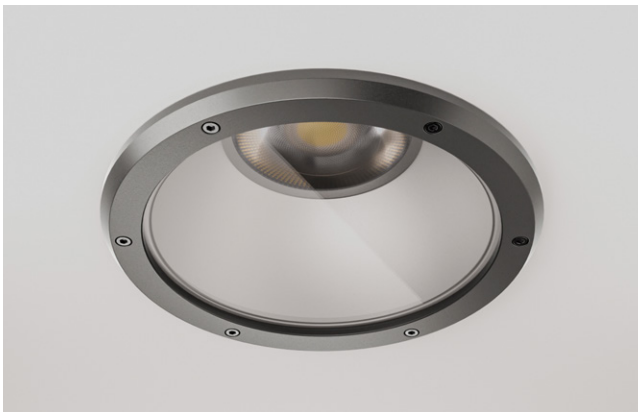
TRIM FINISH



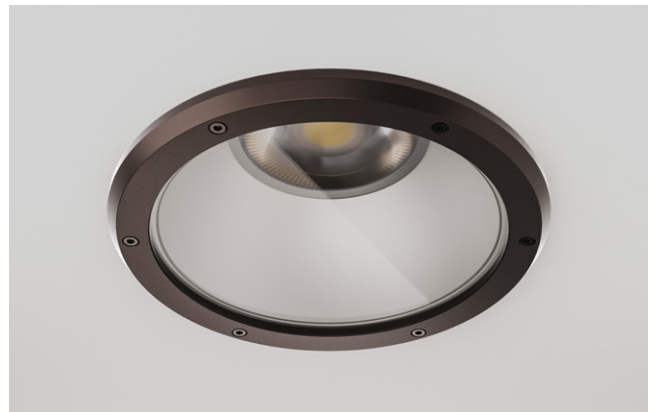
Black Finish



White Finish



Gray Finish

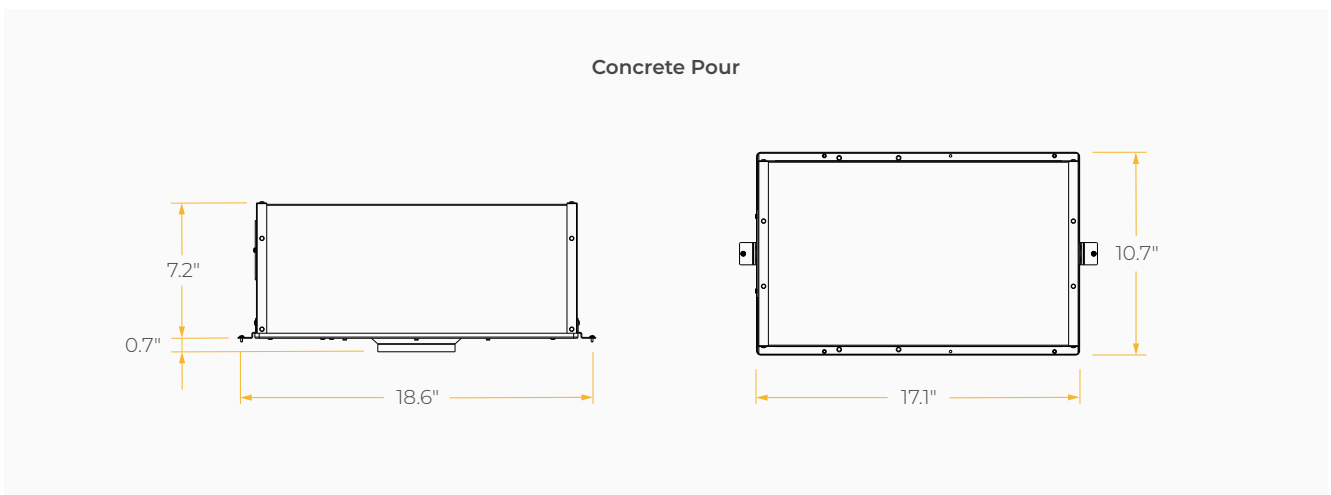
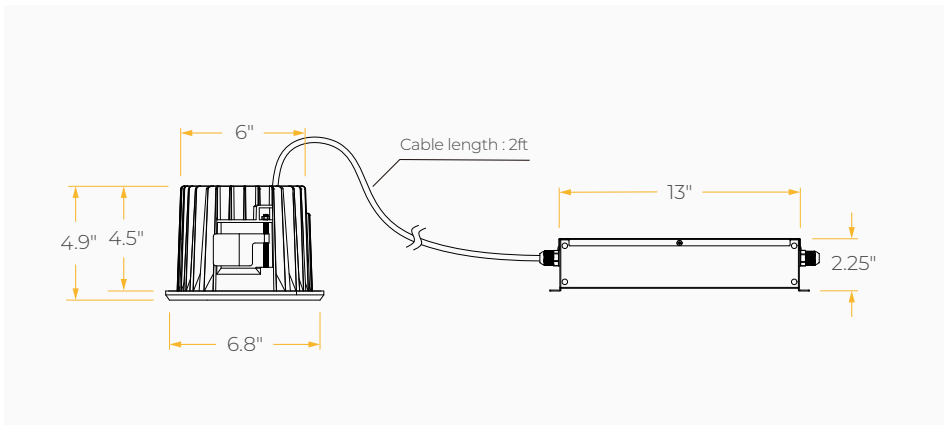
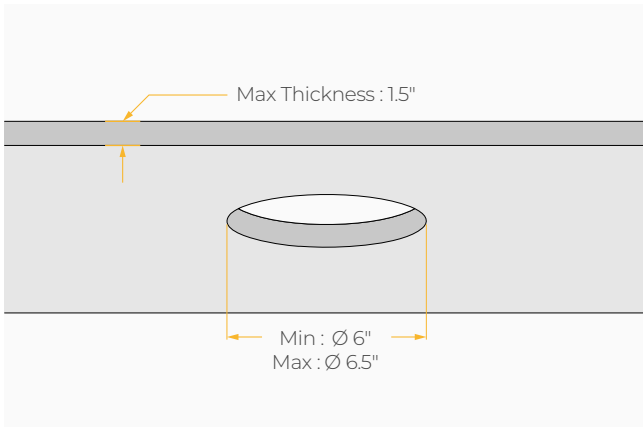


Bronze Finish



Brushed Stainless Steel

DIMENSIONS



DIMENSIONS

New Construction Panel

